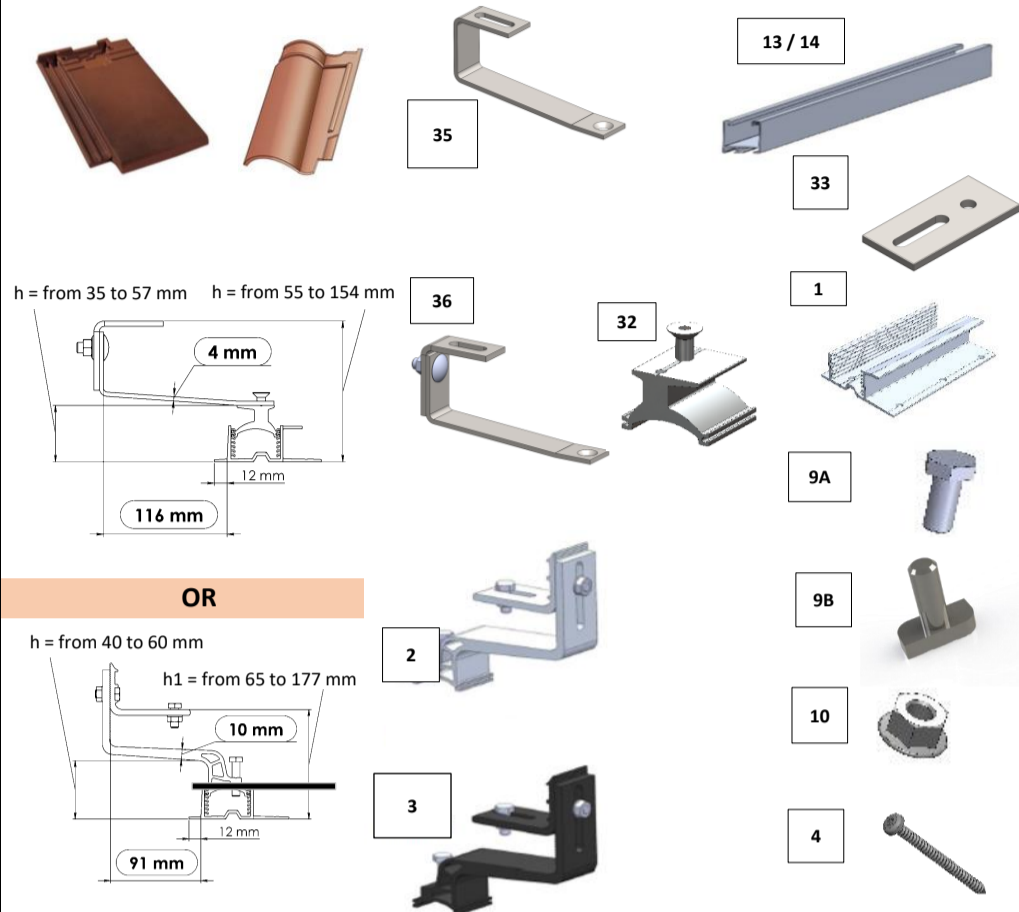


# EASY ROOF TOP, ON ROOF MOUNTING SYSTEM



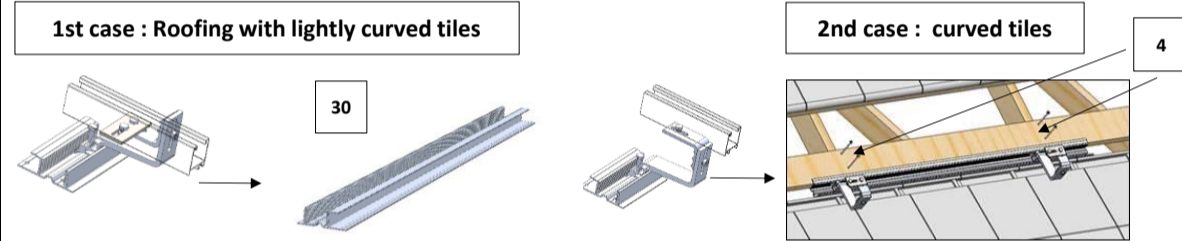
## MECHANICAL TILES



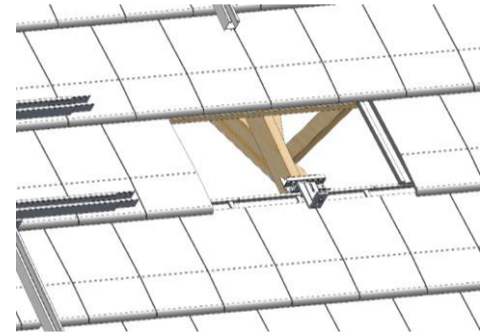
RAW	DESCRIPTION	N°
PRTOP00403A	TOP HOOK BASEPLATE TILE 8-28 150	1
ASM0P00528A	TOP HOOK TILE ASSY 65-28 150	2
ASM0P00528NA	TOP HOOK TILE ASSY 65-152 BLACK	3
V077V02	DOME-HEAD SCREW 6 x 70	4
PRTOP00569A	TOP HOOK BASEPLATE TILE 8-28 1250 (LANDSCAPE)	30
PDC0P00572A	ADAPTER PLATE 82x40x5	33
PRTOP00907A	FIXED HOOK FLAT TILE	35
ASM0P00906A	TOP HOOK SLATE ADJUSTABLE (OPTION)*	36
PRTOP00693AB	TOP SCREW SUPPORT M8	32
PRTOP00520A	TOP RAIL STD 2120	13
PRTOP00520NA	TOP RAIL STD 2120 BLACK (OPTION)	14
V068V02	HEX SCREW M8 x 20	9A*
V083V02	HAMMER HEAD SCREW (OPTION)	or 9B*
V066V02	NUT M8 SERRATED FACE	10

\*The hammer head screw 9B is a variant of the screw 9A only

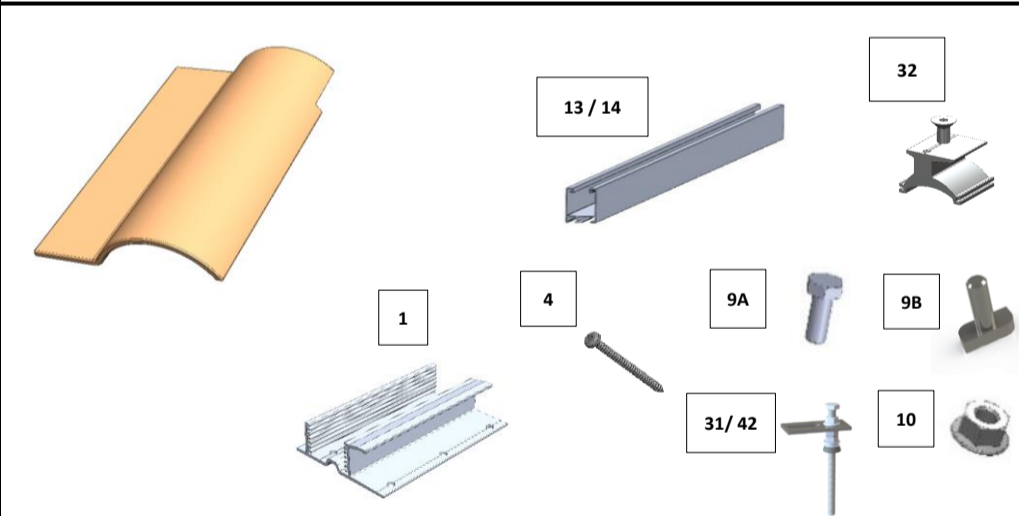
### LANDSCAPE MODE: CONFIGURATION WITHOUT CROSS-RAILING



### PORTRAIT MODE



## CURVED TILES

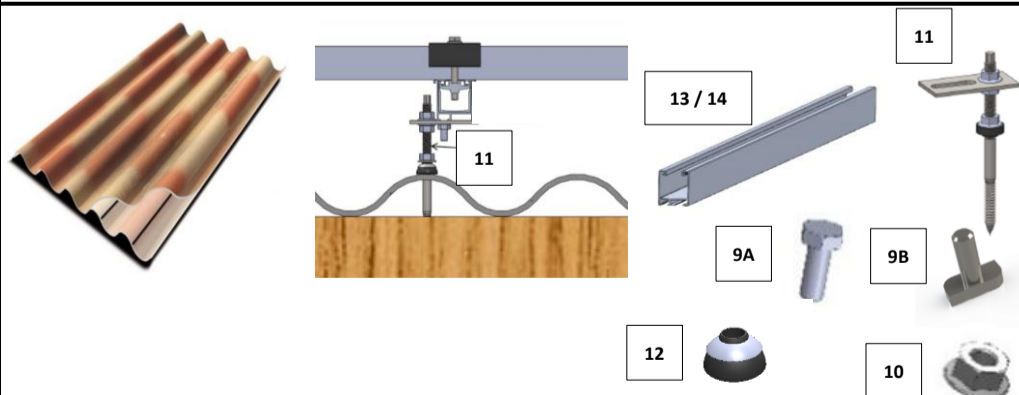


RAW	DESCRIPTION	N°
PRTOP00403A	TOP HOOK BASEPLATE TILE 8-28 150	1
PRTOP00693AA	TOP SCREW SUPPORT M8	32
V084V02	TOP HOOK BASEPLATE TILE 8-28 1250 **	31
V140V02	TOP HOOK BASEPLATE M8 *200 A2 BLACK (OPTION) **	42
V077V02	DOME-HEAD SCREW 6 x 70	4
PRTOP00520A	TOP RAIL STD 2120	13
PRTOP00520NA	TOP RAIL STD 2200 BLACK (OPTION)	14
V068V02	HEX SCREW M8 x 20	9A*
V083V02	HAMMER HEAD SCREW (OPTION)	ou 9B*
V066V02	NUT M8 SERRATED FACE	10

\*The hammer head screw 9B is a variant of the screw 9A only

\*\* Screws for wood only, if steel : specific order

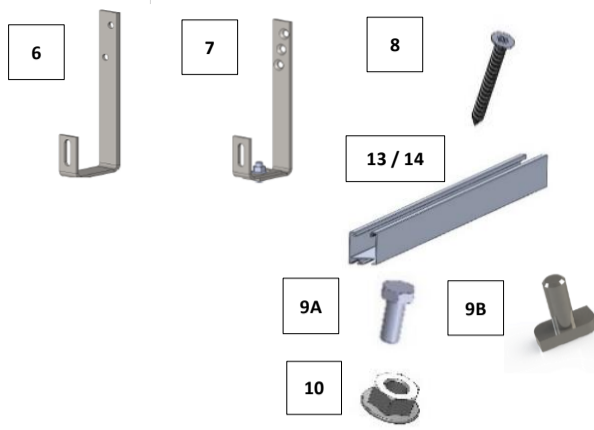
## FIBRE CEMENT SHEET ROOFING



RAW	DESCRIPTION	N°
V081V02	DOUBLE THREAD SCREW ASSY 10 x 200 M10	11
V080V02	FIBRE CEMENT JOINT 8.4*25	12
PRTOP00520A	TOP RAIL STD 2120	13
PRTOP00520NA	TOP RAIL STD 2200 BLACK (OPTION)	14
V068V02	HEX SCREW M8 x 20	9A*
V083V02	HAMMER HEAD SCREW (OPTION)	ou 9B*
V066V02	NUT M8 SERRATED FACE	10

\*The hammer head screw 9B is a variant of the screw 9A only

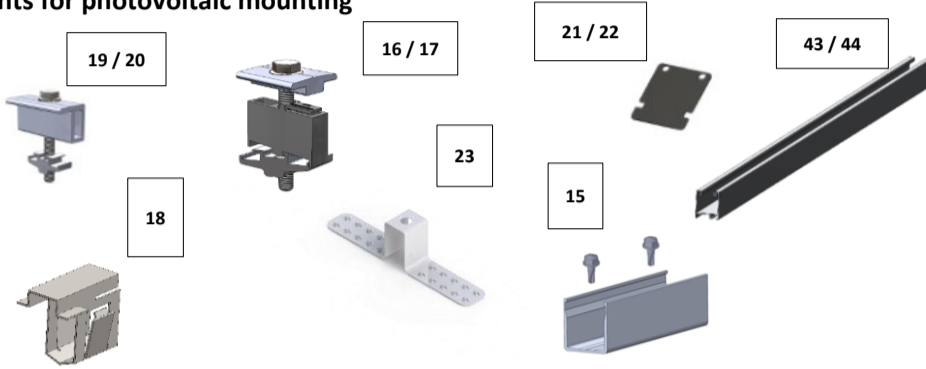
## SLATES & FLAT TILES



RAW	DESCRIPTION	N°
PDC0P00564A	TOP HOOK SLATE	6
PDC0P00565A	ADJUSTABLE TOP HOOK SLATE	7
V079V02	COUNTERSUNK SCREW 6x50	8
PRT0P00520A	TOP RAIL STD 2120	13
PRT0P00520NA	TOP RAIL STD 2200 BLACK (OPTION)	14
V068V02	HEX SCREW M8 x 20	9A*
V083V02	HAMMER HEAD SCREW (OPTION)	ou 9B*
V066V02	NUT M8 SERRATED FACE	10

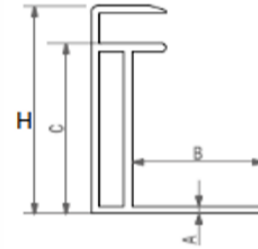
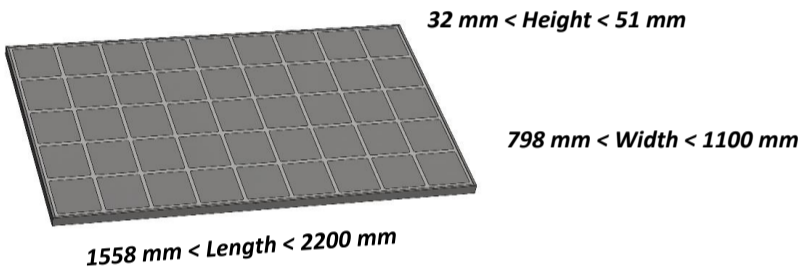
\*The hammer head screw 9B is a variant of the screw 9A only

## Elements for photovoltaic mounting



RAW	DESCRIPTION	N°
ASM0P00562A / ASM0P00562AN	TOP SINGLE CLAMP ASSY GRAY (OPTION : BLACK)	19 (20 BLACK)
ASM0P00530A	TOP JOINT BAR ASSY STD 150	15
ASM0P00529A / ASM0P00529AN	TOP DOUBLE CLAMP ASSY GRAY (OPTION : BLACK)	16 (17 BLACK)
PDC0P00490A	TOP CLIP MODULE	18
PRT0P00340A	EASY GROUNDING	23
ASM0P00563A / ASM0P00563AN	TOP RAIL CLOSURE ASSY GRAY (OPTION : BLACK)	21 (22 BLACK)
PRT0P00909A / PRT0P00909NA	TOP RAIL 3500 GRAY (OPTION : BLACK)	43 / 44

## Compatibility of photovoltaic modules



### For clip 18

1.5 mm < A < 2.2 mm  
 B : mini 16 mm  
 C : mini 30 mm  
 32 mm < H < 51 mm

The system does not include the waterproofing - please refer to the EASY ROOF TOP system installation instructions

PRODUCT



ADVANTAGES

QUICK AND EASY TO INSTALL

ONE RAIL ONLY IN PORTRAIT OR LANDSCAPE CONFIGURATION

COMPATIBLE WITH ALL FRAMED PV MODULE <sup>(1)</sup>

COMPATIBLE WITH CURVED ROOF TILES FLAT TILES, SLATES

ROOF SLOPES FROM 8° TO 50° <sup>(2)</sup>

10 YEARS WARRANTY

SIZING TOOL  
 MY SOLAR PROJECT  
 BY IRFTS - SOLAR SOLUTIONS

(1) See compatibility on [www.irfts.com](http://www.irfts.com)

(2) Variable depending on the type of coverage